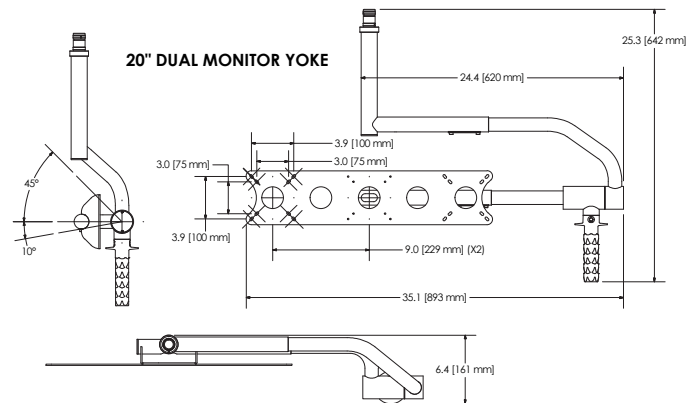
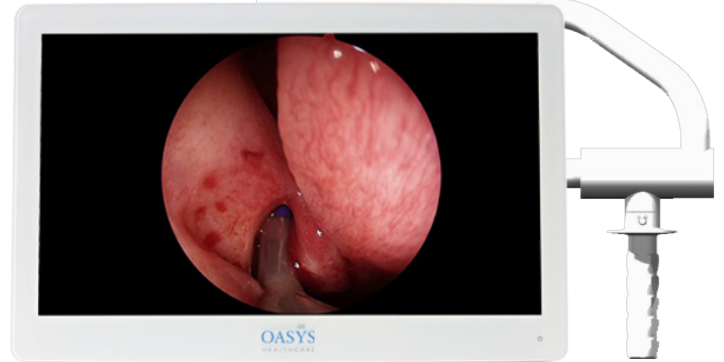
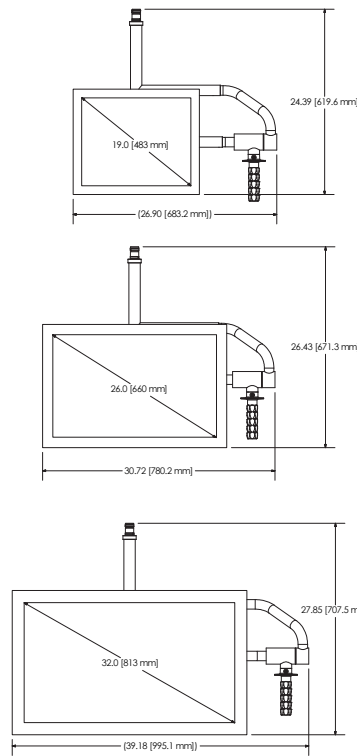


- OASYS monitor yokes offer flexibility through its telescopic abilities.
- Mount monitors from 19" to 32" with one yoke.
- Generous cable raceway allows for multiple cables to be run through the yoke.
- Multiple adapter options allows connection to OASYS 2001 and OASYS 3001 spring arms as well as other manufacturers arms.



Specifications:

Monitor sizes	Single - Adjustable up to 32" diagonal, Dual - up to 20" 4:3 monitors
Bolt Pattern	Vesa 75 x 75/100 x 100mm
Brake	Adjustable friction brake
Yoke Rotation	320°, optional 360° rotation is available with purchase of OASYS multipole slip ring
Monitor Pitch	Customizable up to 320°
Handle	Removable and Sterilizable
Standard Color Options	RAL 9010/9003/9002
Features	Easy internal and/or external cable routing One touch removable handle for easy cleaning Adapter plate can be added to mount 2 monitors side by side Dual needle bearing spindle for smooth movement