

# OASYS 2001

## MEDIUM DUTY SPRING ARMS

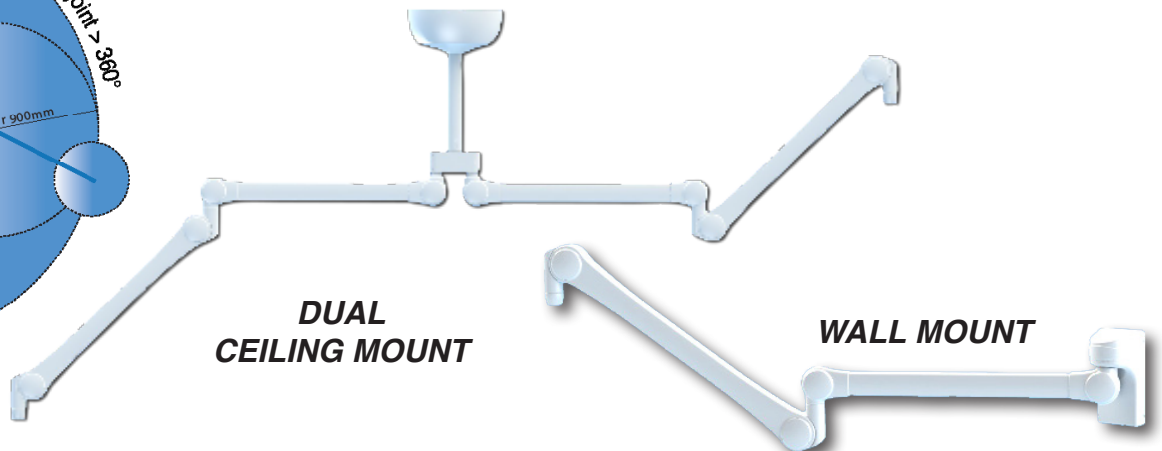
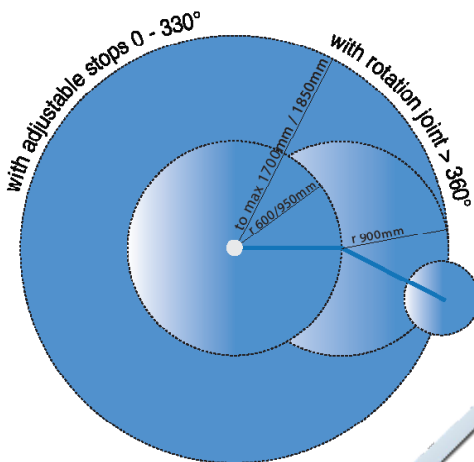
- Precise vertical calibration keeps brackets consistently horizontal.
- Specially designed with cable management in mind allowing for quick and easy wiring and re-wiring in the field.
- Hassle-free spring arm serviceability through easily removable covers.
- OASYS spring arms exceed all medical standards for cleaning, sterilization and disinfection making infection control a non-issue.
- All OASYS Spring Arms are available with adjustable load, adjustable height range and locatable stops for your convenience.
- Optional 360° power connector may be added to suit your application.
- From color selection to customized lengths and loads, OASYS is able to fulfill your customized design criteria.
- Our commitment is to provide superior quality, on-time delivery and excellent customer service.



**SINGLE  
CEILING MOUNT**

The **OASYS 2001** is a versatile suspension system for loads up to 21 kg (46 lbs). The units are individually designed to your specific requirements for handling of surgical lights, medical displays, medical devices, examination lights, and cameras. The system enables ease of mobility and effortless travel of the adapted equipment on the ceiling or wall.

Customized OEM solutions available,  
contact us for a quote!

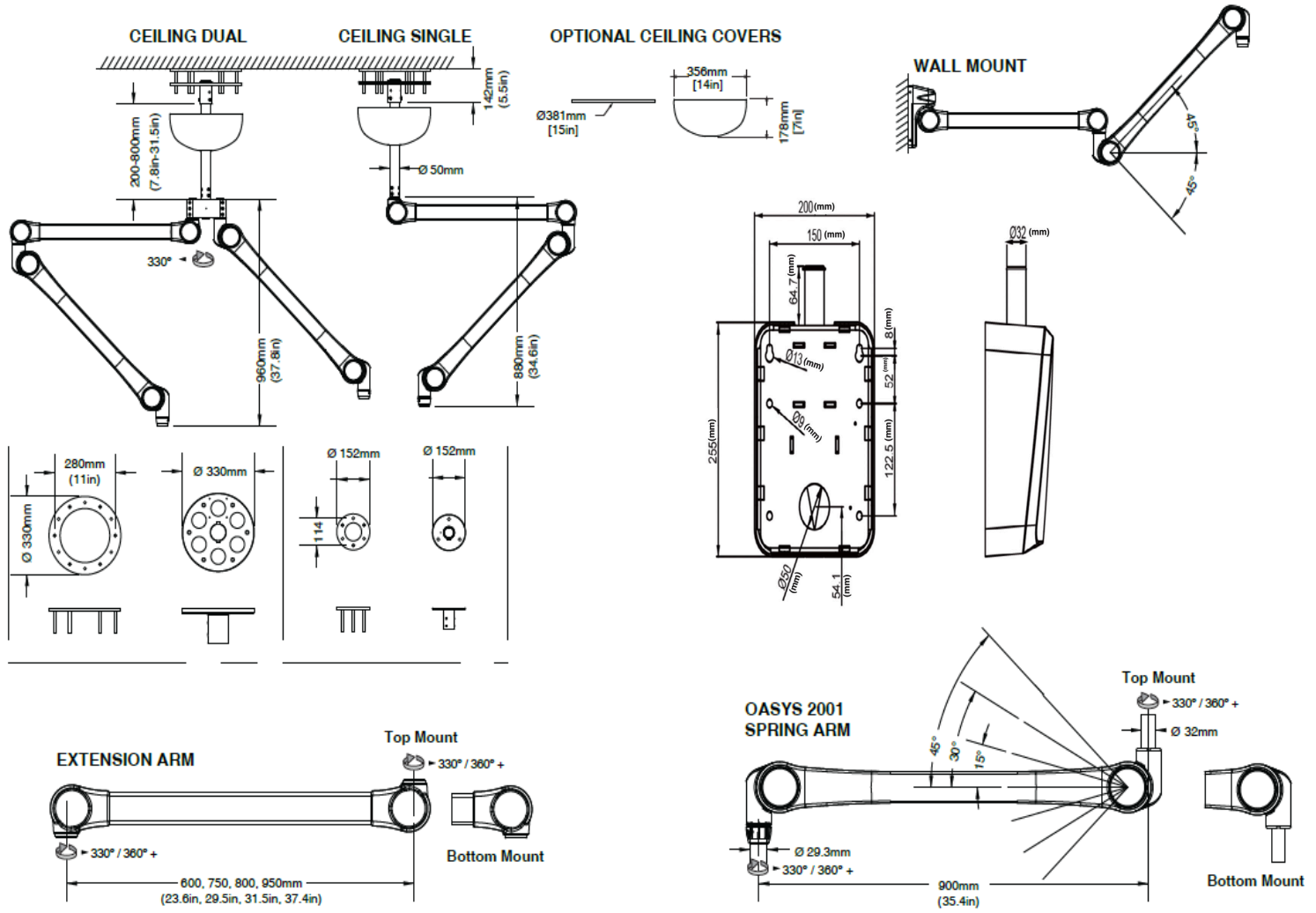


**DUAL  
CEILING MOUNT**

**WALL MOUNT**

**Committed to Quality. Committed to You.**

Specifications:	
<b>Spring Arm Length:</b>	900mm (35.4")
<b>Extension Arm Length:</b>	600mm, 750mm, 800mm, 950mm
<b>Maximum Load:</b>	21 kg (46 lbs) or 2x 21 kg for Dual
<b>Load Ranges:</b>	2.3-8kg, 5.9-12 kg, 6.4-15 kg, 12.5-17 kg, 13.2-19 kg, 15.5-21 kg, 19.5-23 kg (5-18 lbs, 13-27 lbs, 14-33 lbs, 27.5-36 lbs, 29-41 lbs, 34-46 lbs, 42.9-50 lbs)
<b>Drop Tube Length, Ceiling:</b>	200mm-800mm (7.8"-31.5")
<b>Maximum Cable Allowance:</b>	500mm <sup>2</sup> (19.7in <sup>2</sup> )
<b>Maximum Single Cable Diameter:</b>	11.5mm (0.45")
<b>Features:</b>	Optional non-stop rotation, precise vertical calibration, easily serviceable, ease of cable management
<b>Safety Factor:</b>	Four times pay load towards the yield strength according to IEC 60601
<b>Approvals:</b>	UL, CUL, CE
<b>Electrical:</b>	100 - 240 V, 12 A
<b>Classification:</b>	IEC 60601-1, UL 60601-1, CAN/CSA-C22.2 No. 601.1-M90
<b>Color:</b>	RAL 9010, RAL 7035, RAL 9002



www.oasyshealthcare.com



Tel: 905.852.3399  
Toll-Free: 1.877.996.2797  
Fax: 905.852.3323  
sales@oasyshealthcare.com

ISO 9001: 2015  
05/23  
3011003B