

# OASYS SWING

## LIGHT DUTY SPRING ARMS

- The low profile Floor Stand base improves stability, mobility and includes a convenient ON/OFF switch.
- The universal input (removable power cord) feature provides added safety and assists with inventory management for global markets.
- The Floor Stand base cover houses the power supply giving a sleek professional look.
- OASYS spring arms exceed all medical standards for cleaning, sterilization and disinfection making infection control a non-issue.
- All OASYS Spring Arms are available with adjustable load, optional adjustable range and locatable stops for your convenience.
- 360° power connector to suit your application.
- From color selection to customized lengths and loads, OASYS is able to fulfill your customized design criteria.
- Our commitment is to provide superior quality, on-time delivery and excellent customer service.



**SINGLE  
CEILING MOUNT**

The **OASYS Swing** is a versatile suspension system for loads up to 7 kg (15 lbs). The units are individually designed to your specific requirements for handling of medical devices, cameras and examination lights. The system enables ease of mobility and effortless travel of the adapted equipment on the ceiling, wall or floor stand models.

Customized OEM solutions available,  
contact us for a quote!

**WALL MOUNT**



**FLOOR STAND**

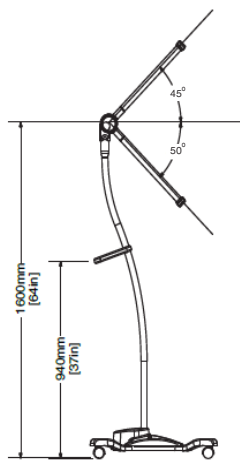


**DUAL  
CEILING MOUNT**

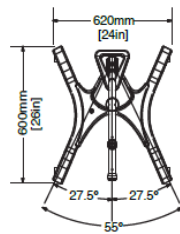


**Committed to Quality. Committed to You.**

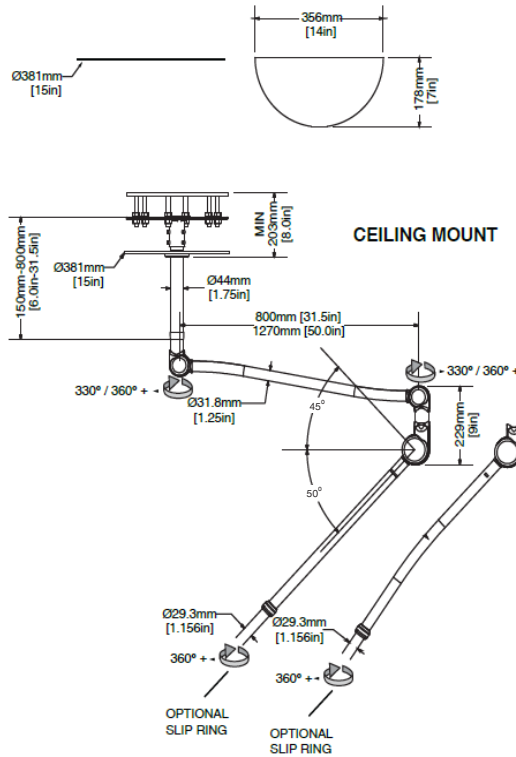
Specifications:	Straight Arm	Bent Arm
<b>Spring Arm Length:</b>	550 mm/720 mm (21"/28.5")	720 mm (28.5")
<b>Extension Arm Length:</b>	800 mm/1270 mm (31.5"/50") - wall/ceiling mount only	
<b>Maximum Load:</b>	42 Nm	42 Nm
<b>Load Ranges:</b>	3-15 Nm, 14-42 Nm	
<b>Drop Tube Length, Ceiling:</b>	150-800 mm (6"-31.5")	150-800 mm (6"-31.5")
<b>Maximum Cable Allowance:</b>	62mm <sup>2</sup> (2.44in <sup>2</sup> )	
<b>Maximum Single Cable Diameter:</b>	8.5mm (0.33")	
<b>Features:</b>	Optional non-stop rotation, easily serviceable, adjustable load	
<b>Safety Factor:</b>	Four times pay load towards yield strength according to IEC 60601	
<b>Approvals:</b>	UL, CUL, CE	
<b>Electrical:</b>	100-240 V, 12 A	
<b>Classification:</b>	IEC 60601-1, UL 60601-1, CAN/CSA-C22.2 No. 601.1-M90	
<b>Color:</b>	RAL 9010, RAL 7035, RAL 9002	



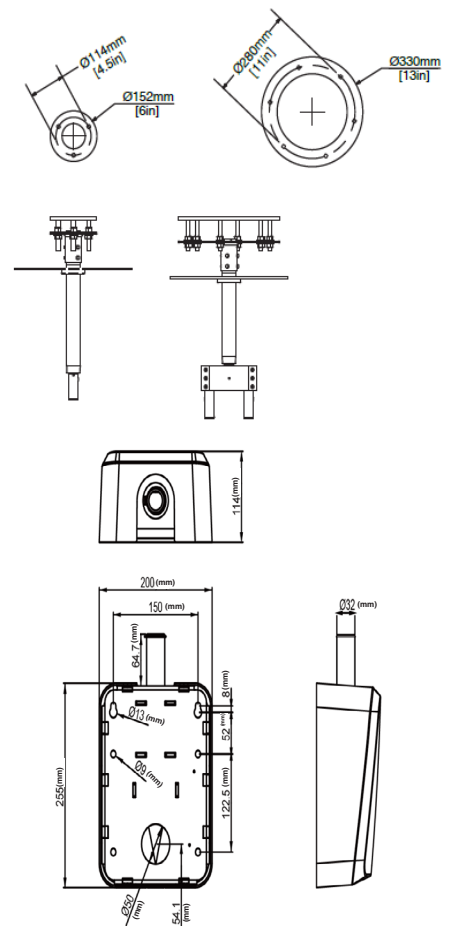
FLOOR STAND



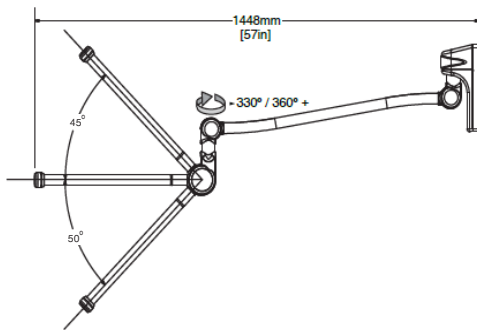
OPTIONAL CEILING COVERS



CEILING MOUNT



WALL MOUNT



www.oasyshealthcare.com



191 Main Street North  
 Uxbridge, Ontario  
 L9P 1C3  
 Tel: 905.852.3399  
 Toll-Free: 1.877.996.2797  
 Fax: 905.852.3323  
 sales@oasyshealthcare.com

ISO 9001:2015  
 05/23  
 3011005B Rev: B